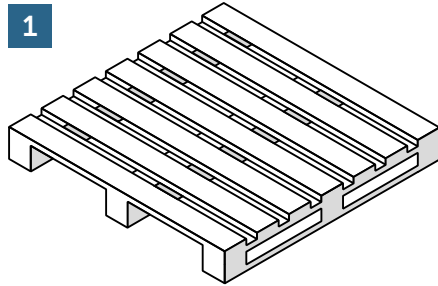


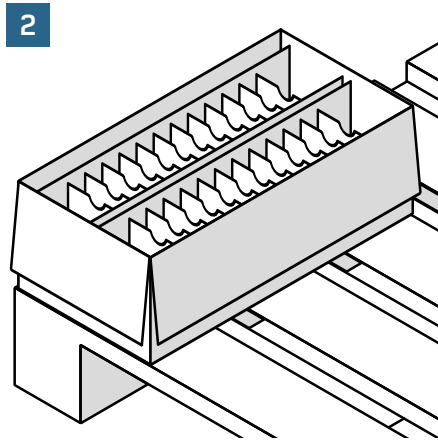
Guidance for packing **MOBILE PHONES**

You will need;

- A pallet or pallets
- Cardboard packing boxes
- Bubble wrap
- Packing tape
- Plastic wrap



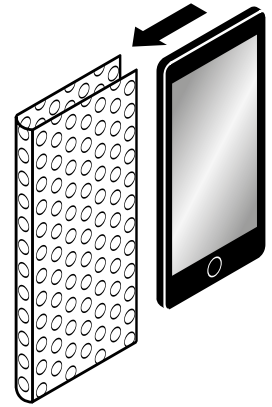
1



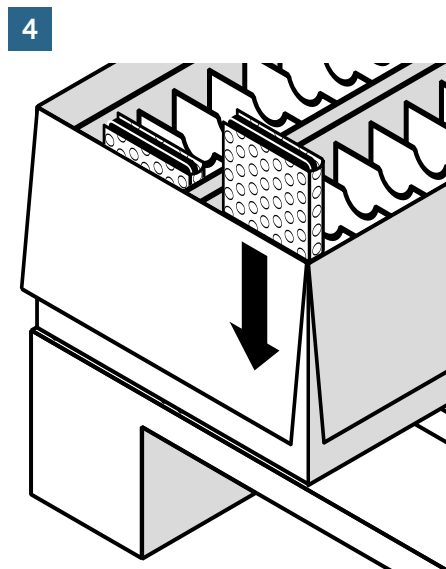
2

■ Place your first layer of boxes on your pallet.

3

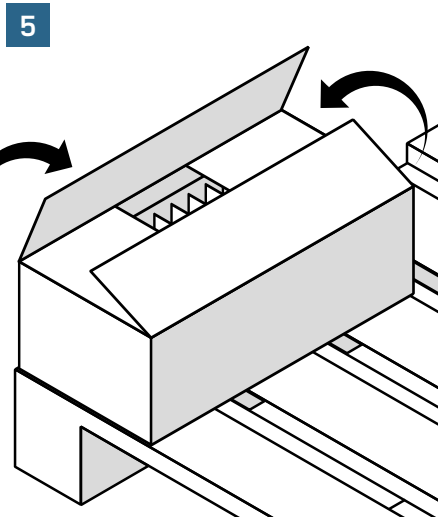


■ Wrap each mobile phone in bubble wrap.



4

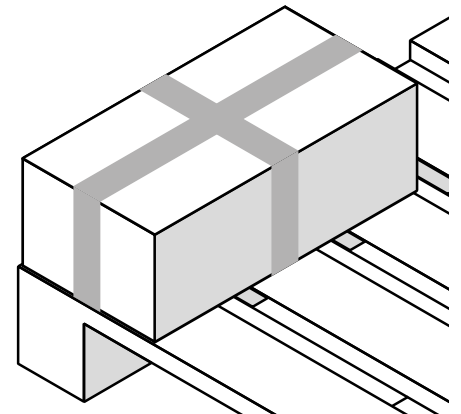
■ Place each wrapped mobile phone into the box, one per section.



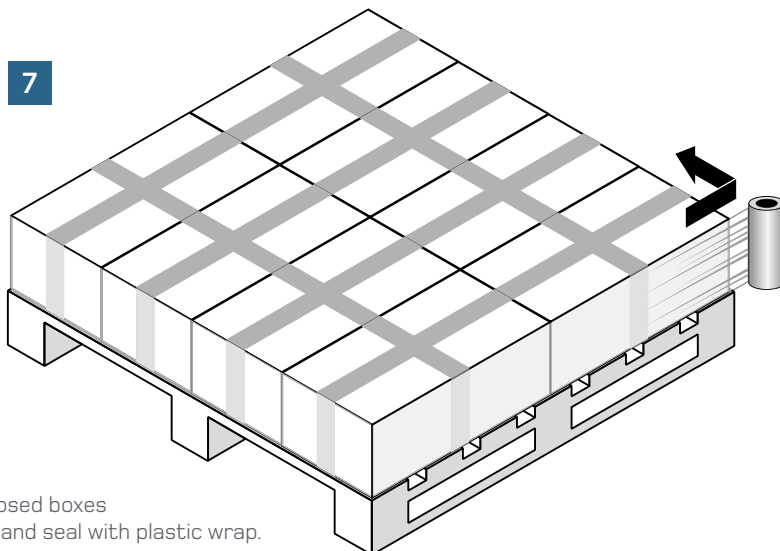
5

■ Close the box and seal with tape.

6



7



■ Stack the closed boxes onto the pallet and seal with plastic wrap.

Now all you need to do is label your pallet and book a collection!
What do you want to do now?

- Print a packing label
- Get more packing instructions
- Order packing materials