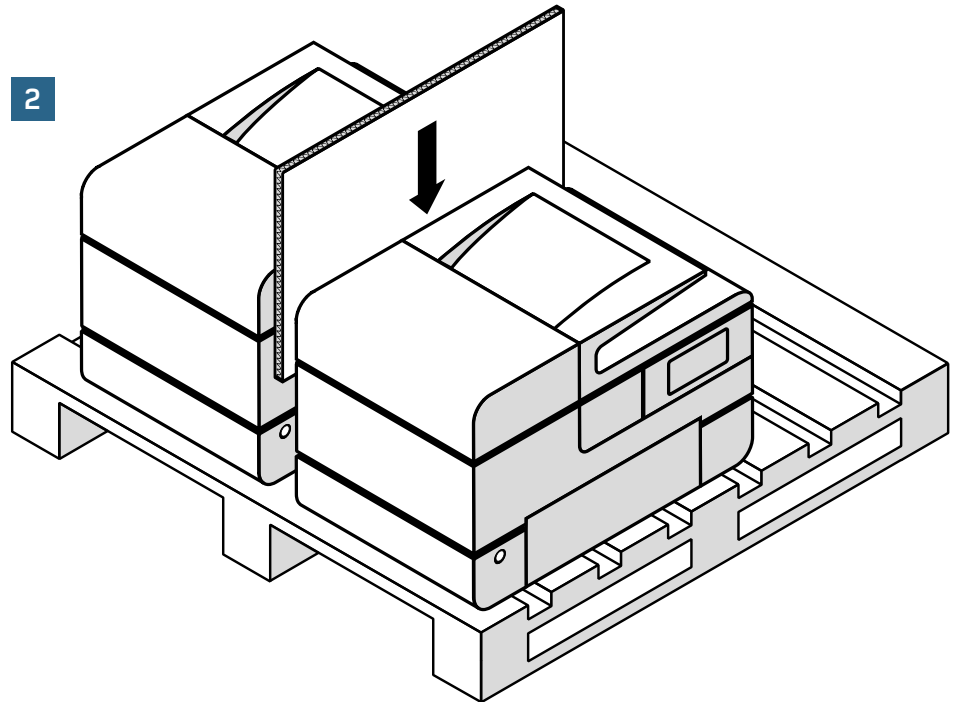
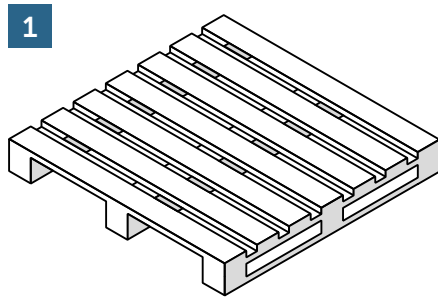


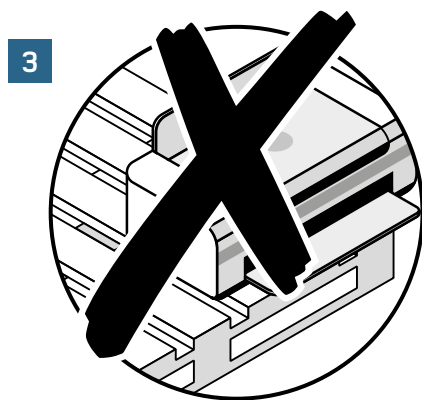
Guidance for packing **PRINTERS**

You will need;

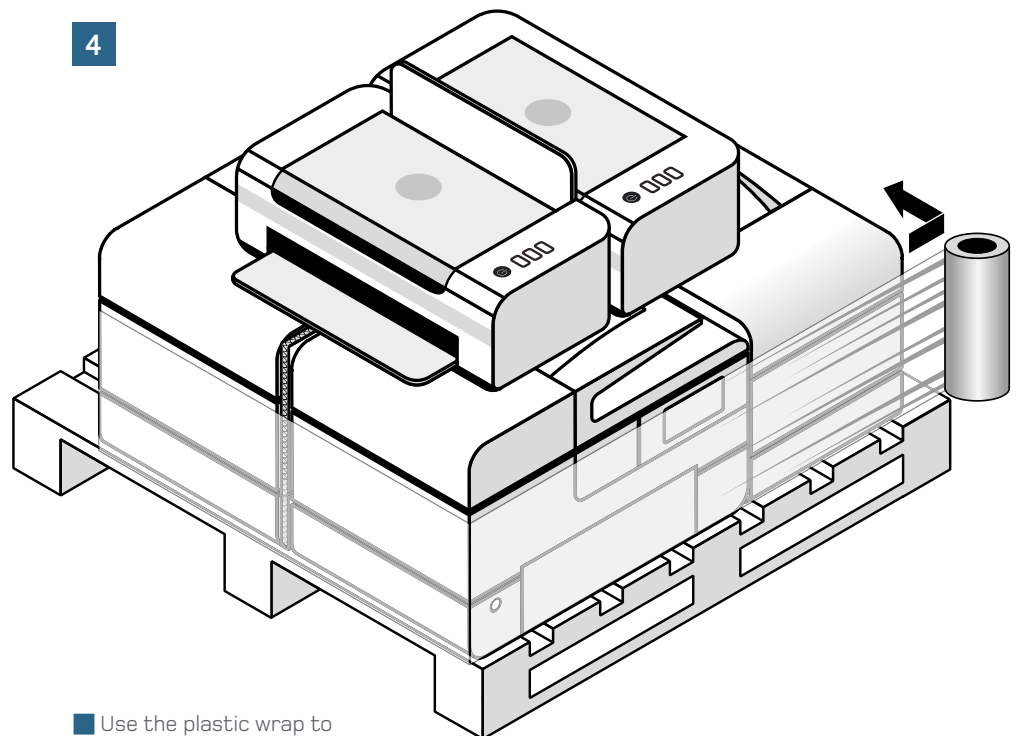
- A pallet or pallets
- Cardboard sheets
- Plastic wrapping & wrapping tool



■ Start with the largest printers.
Place your first layer of printers on the pallet, separating each printer with a cardboard sheet.



■ Nothing should overhang the edges of the pallet.



■ Use the plastic wrap to secure the printers to the pallet.

Now all you need to do is label your pallet and book a collection!
What do you want to do now?

- Print a packing label
- Get more packing instructions
- Order packing materials